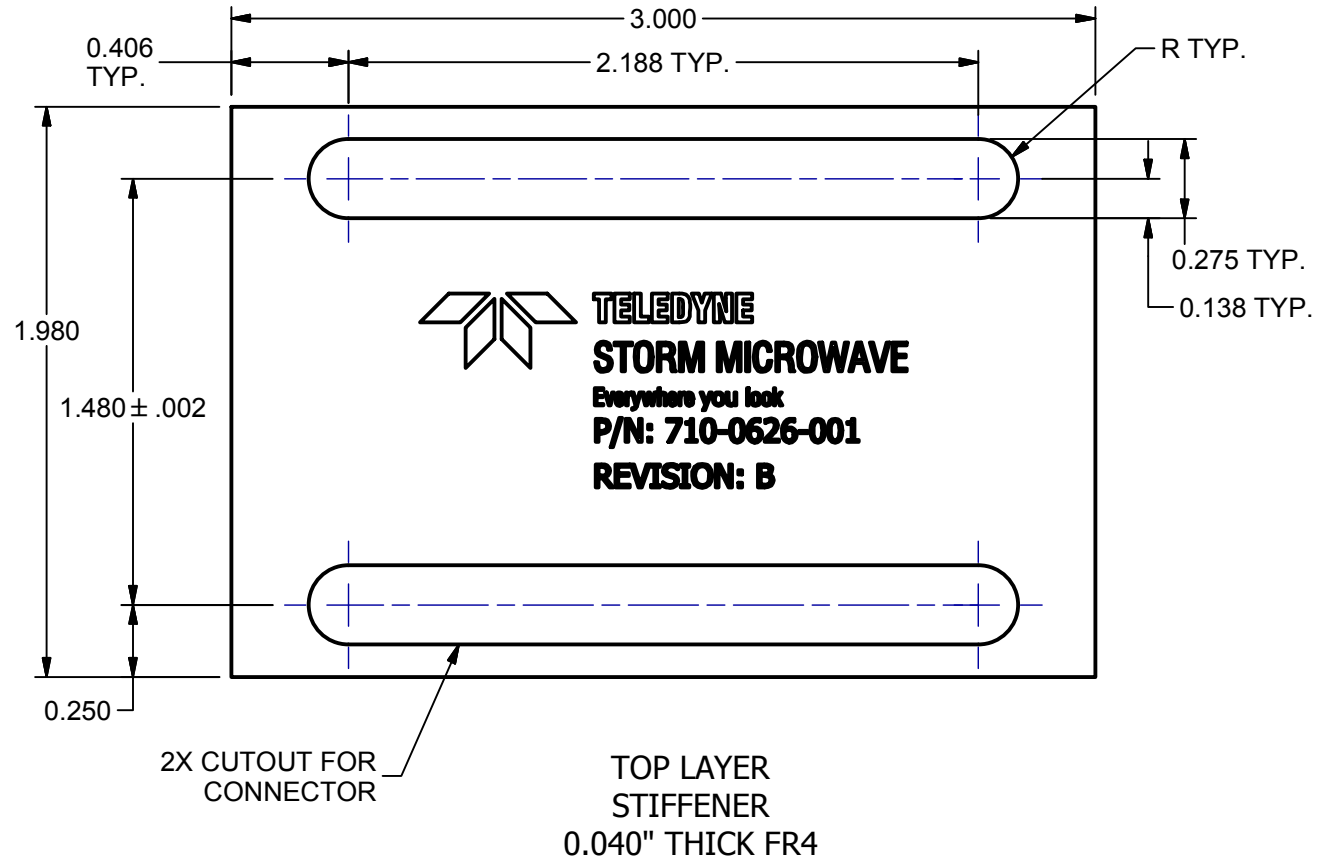
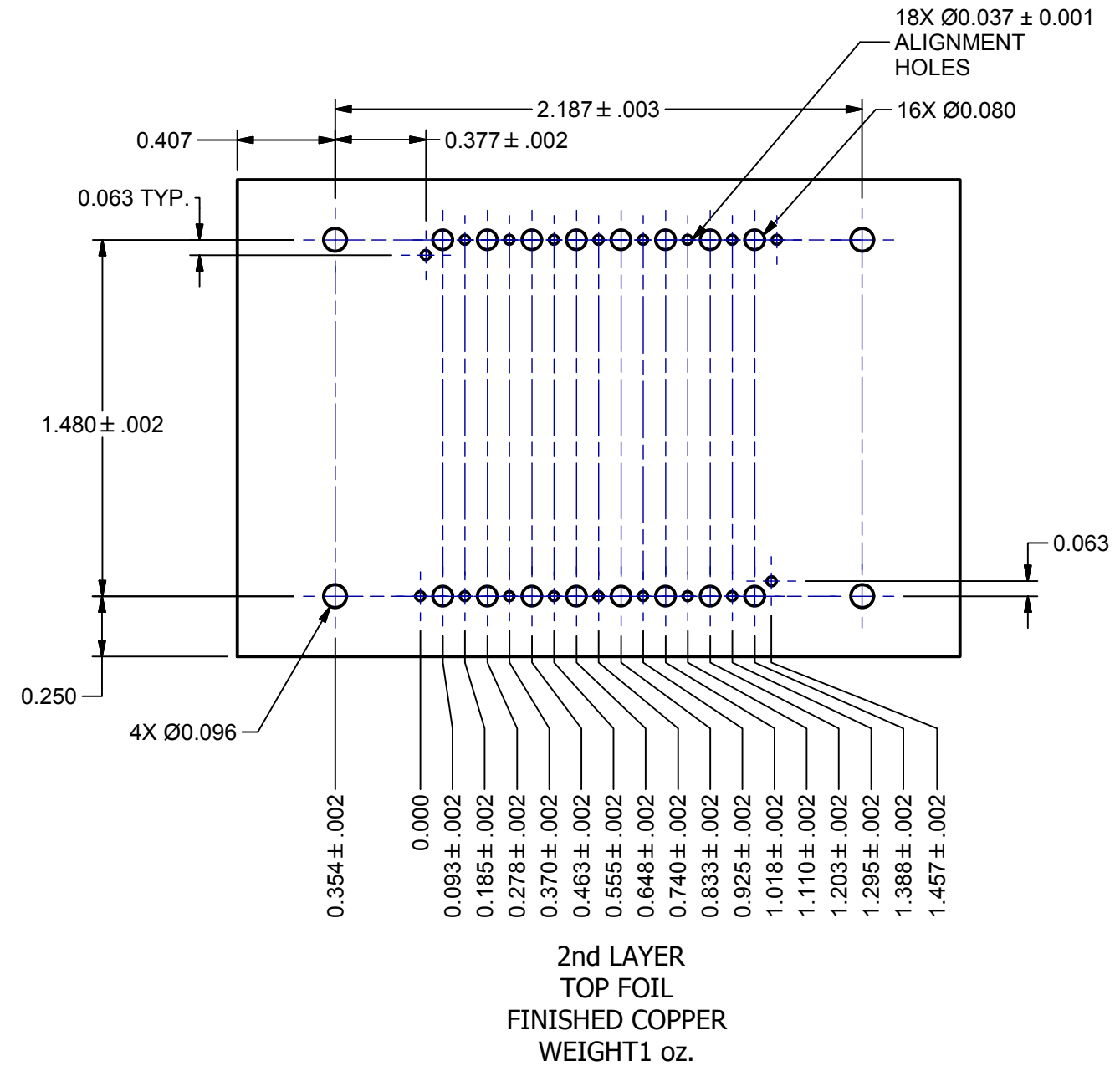
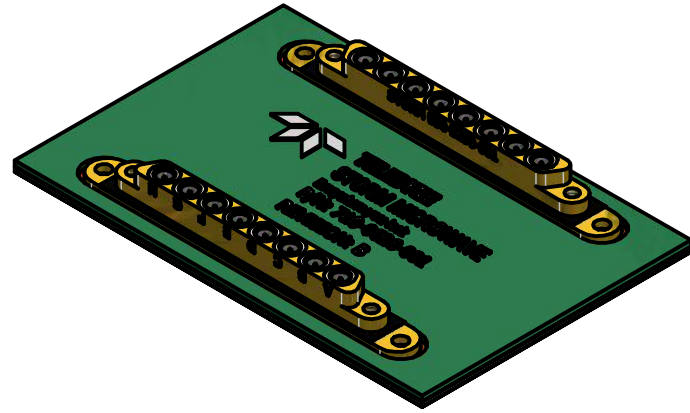


TELEDYNE
PART NUMBER
710-0626-001

REVISION HISTORY					
REV	DATE	ORIGINATOR	APPROVED	DCRN	CAD
A	06/15/2017	Project 4792	J. Armbruster	1706081	TMM
B	12/5/2017	N. Welinski			NRW



- NOTES TO MANUFACTURER**
- 1) VIAS ARE THE ONLY PLATED THRU HOLES. ALL OTHER HOLES SHOULD NOT BE PLATED.
 - 2) THE FR4 SUBSTRATE SHOULD BE BONDED WITH NO FLOW PRE-PREG.

EXPORT CONTROL PENDING
PROPRIETARY INFORMATION
THIS DOCUMENT CONTAINS PROPRIETARY INFORMATION AND, EXCEPT WITH PERMISSION FROM TELEDYNE STORM, SUCH INFORMATION SHALL NOT BE PUBLISHED OR DISCLOSED FOR ANY PURPOSE AND THE DOCUMENT SHALL NOT BE COPIED WHOLE OR IN PART.

UNLESS OTHERWISE SPECIFIED: DIM .XX ± .015" DIM .XXX ± .005" DIM .XXXX ± .0002" ANGLES ± 1°	ENGINEER: T.MCNAMEARA	PROJECT No: 4792	 TELEDYNE STORM MICROWAVE Everywhere you look	10221 WERCH DRIVE Woodridge, IL 60517 www.teledynestorm.com
	QUALITY: Quality Signature	TITLE: VERTICAL LAUNCH PC BOARD		
ALL DIMENSIONS ARE IN INCHES. REMOVE ALL BURRS, BREAK CORNERS & SHARP EDGES .003" MAX.	MATERIAL:	DRAWING SIZE: B SCALE: 1.5:1 SHEET 1 of 2		
PART OR ASS'Y WEIGHT: N/A	FINISH:	DRAWING NUMBER: 710-0626		REVISION LEVEL: B

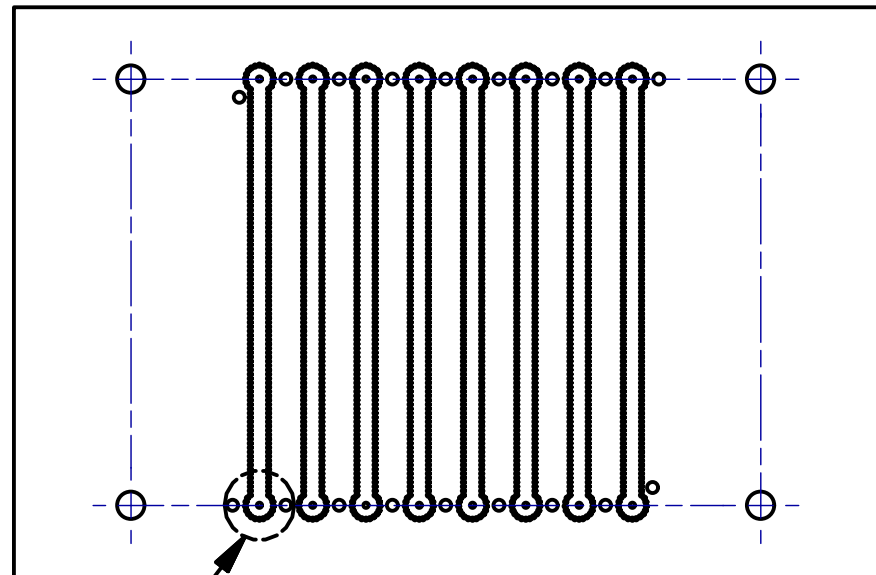
4

3

2

1

ALL DIMENSIONS ARE THE SAME AS ON LAYER 2 - TOP FOIL

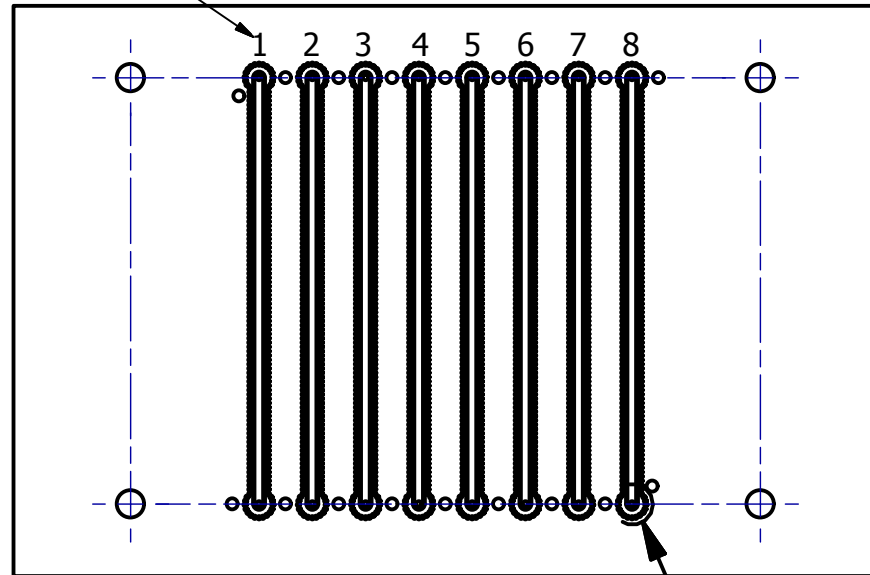


A

3rd LAYER
DIELECTRIC LAYER
0.032" THICK ROGERS 4003C

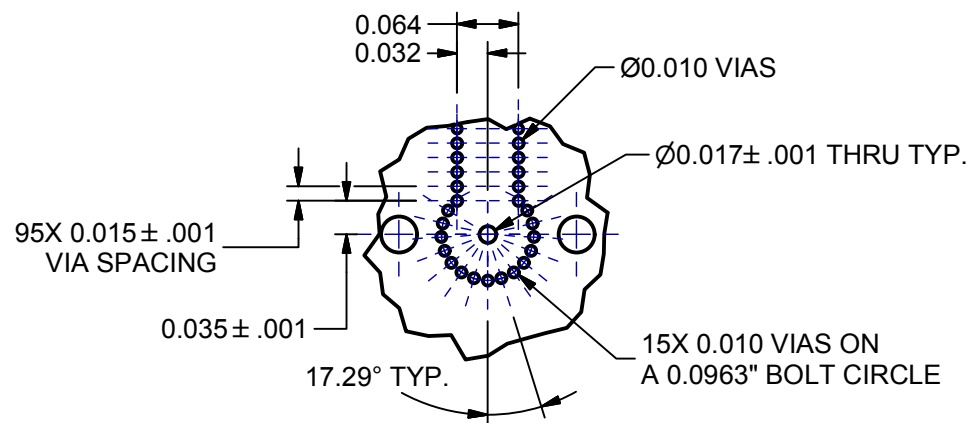
NUMBERS ARE FOR IDENTIFICATION PURPOSES ONLY

ALL DIMENSIONS ARE THE SAME AS ON LAYER 2 - TOP FOIL & LAYER 3 - DIELECTRIC LAYER

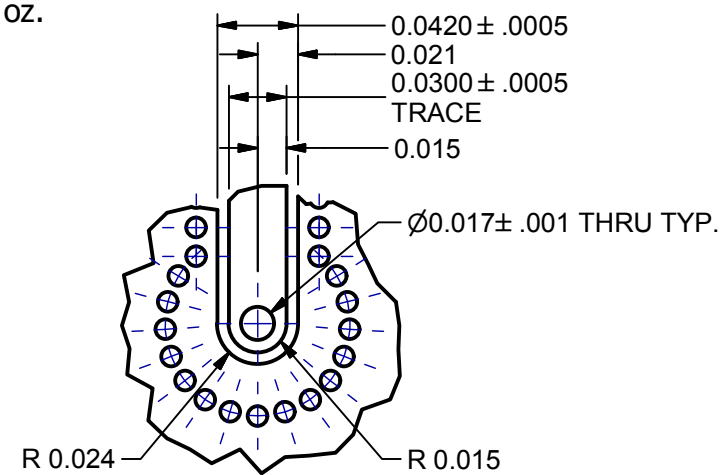


B

BOTTOM LAYER
BOTTOM FOIL
FINISHED COPPER
WEIGHT 1 oz.



DETAIL A
TYP. 8 PLACES
SCALE 5 : 1




DETAIL B
TYP. 8 PLACES
SCALE 10 : 1

EXPORT CONTROL PENDING

PROPRIETARY INFORMATION

THIS DOCUMENT CONTAINS PROPRIETARY INFORMATION AND, EXCEPT WITH PERMISSION FROM TELEDYNE STORM, SUCH INFORMATION SHALL NOT BE PUBLISHED OR DISCLOSED FOR ANY PURPOSE AND THE DOCUMENT SHALL NOT BE COPIED WHOLE OR IN PART.

UNLESS OTHERWISE SPECIFIED: DIM .XX ± .015" DIM .XXX ± .005" DIM .XXXX ± .0002" ANGLES ± 1°	ENGINEER: T.MCNAMEARA	PROJECT No: 4792	 TELEDYNE STORM MICROWAVE <i>Everywhere you look</i>	10221 WERCH DRIVE Woodridge, IL 60517 www.teledynestorm.com
	QUALITY: Quality Signature	TITLE: VERTICAL LAUNCH PC BOARD		
ALL DIMENSIONS ARE IN INCHES. REMOVE ALL BURRS, BREAK CORNERS & SHARP EDGES .003" MAX.	MATERIAL:	DRAWING SIZE: B SCALE: 1.5:1 SHEET 2 of 2		
PART OR ASSY WEIGHT: N/A	FINISH:	DRAWING NUMBER: 710-0626	REVISION LEVEL: B	

4

3

2

1